

Fig. 1

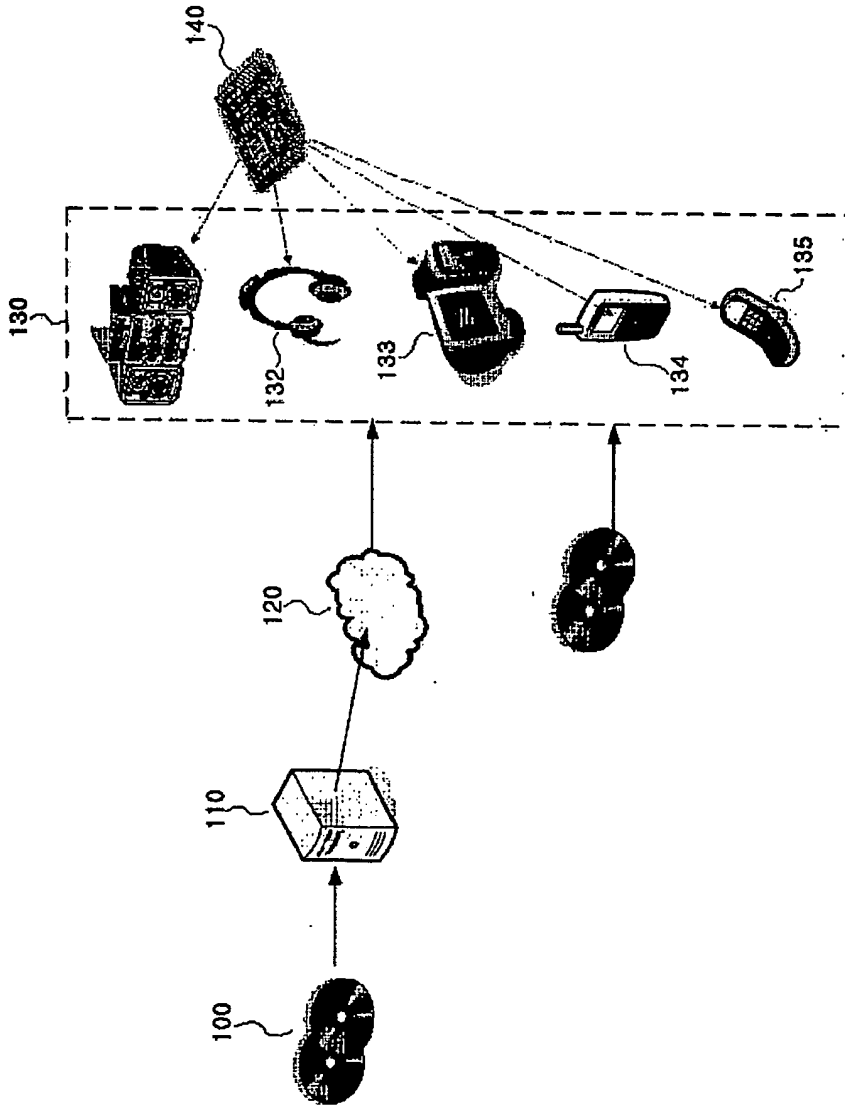


Fig. 2

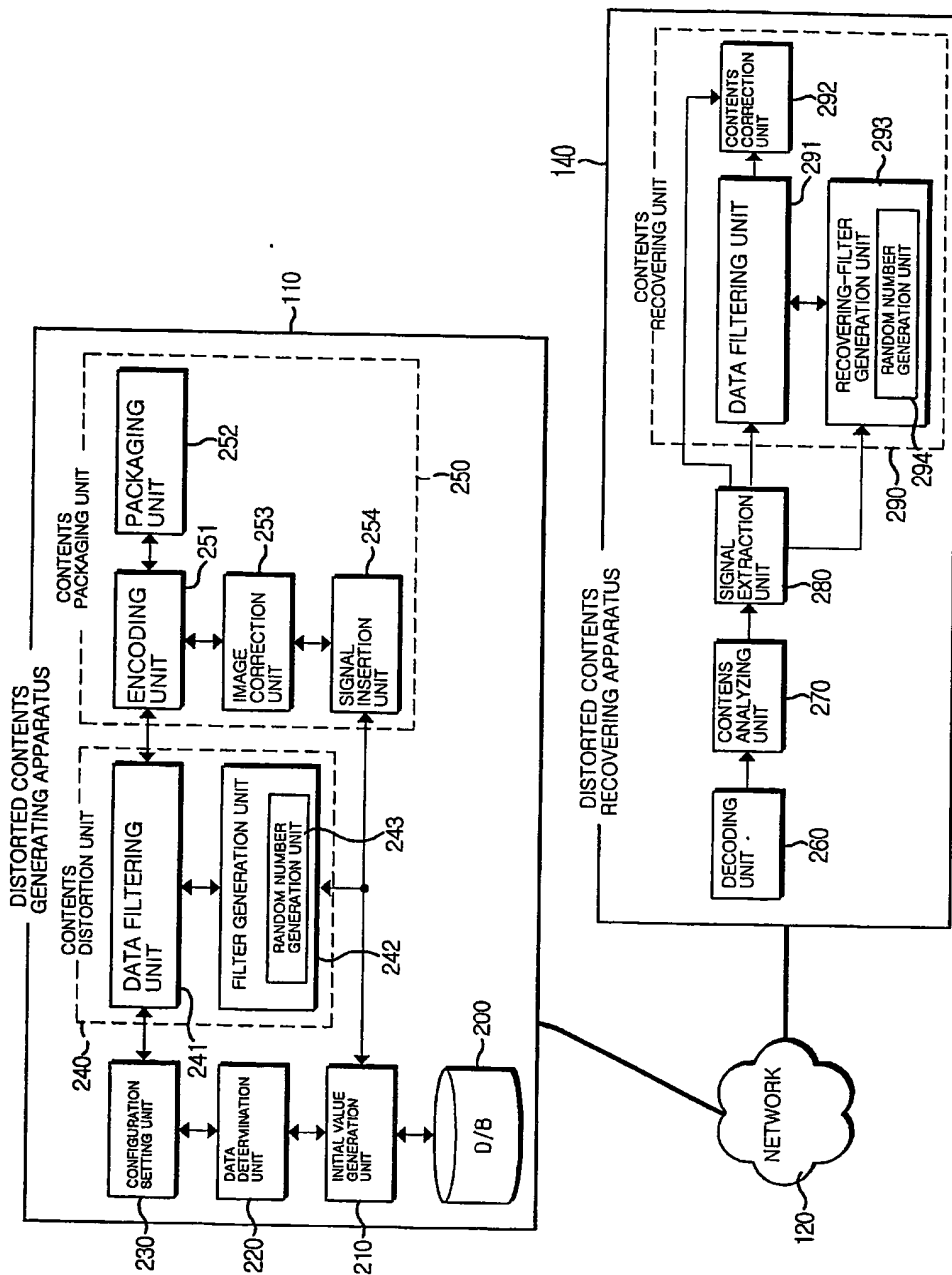


Fig. 3

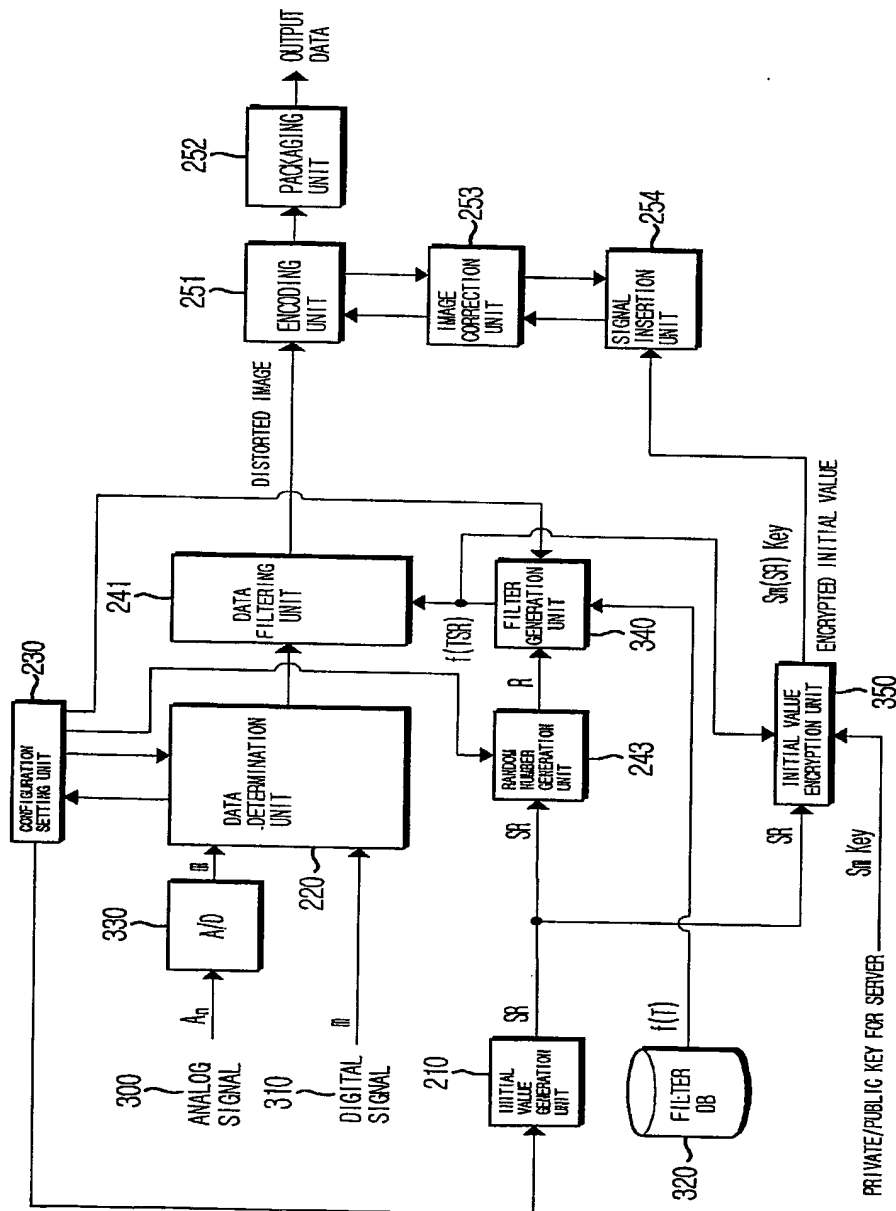


Fig. 4

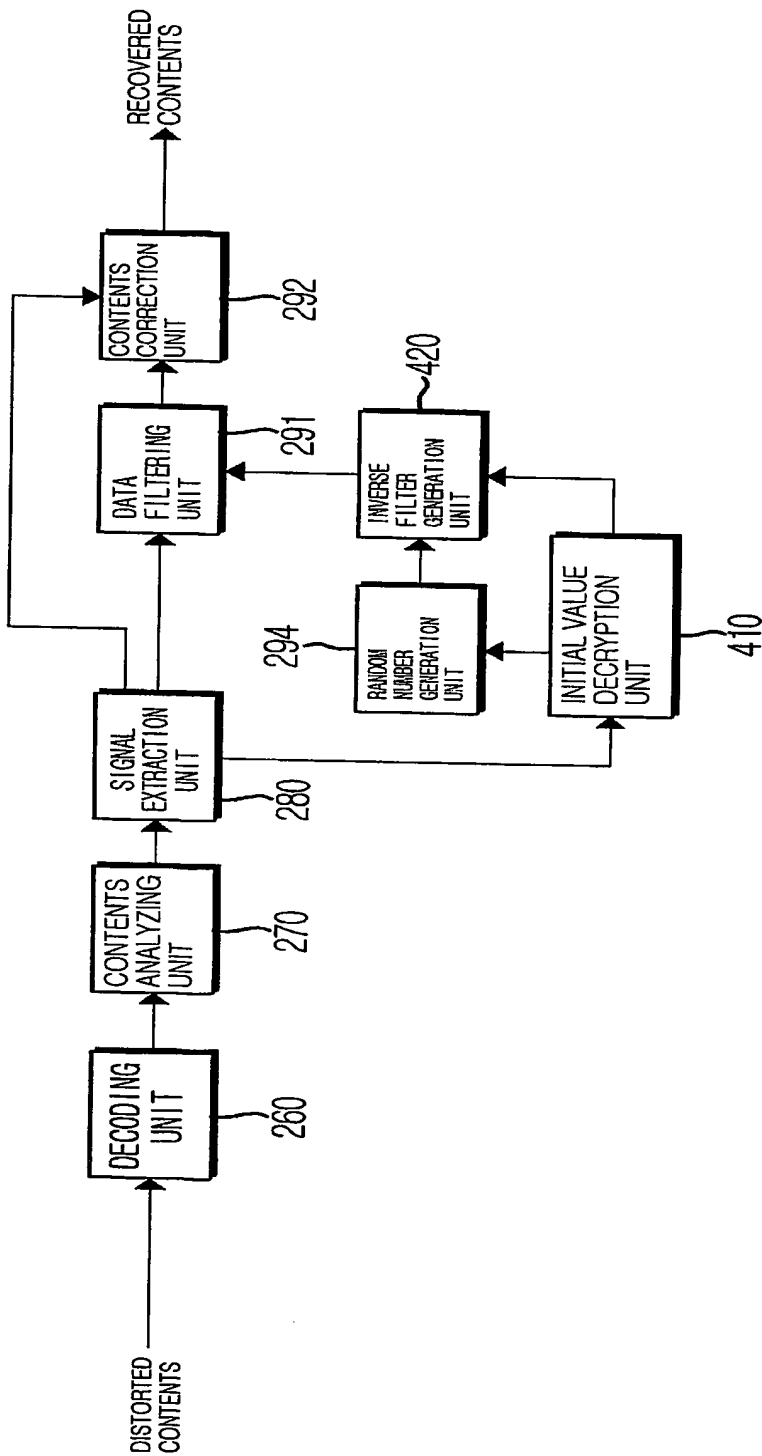
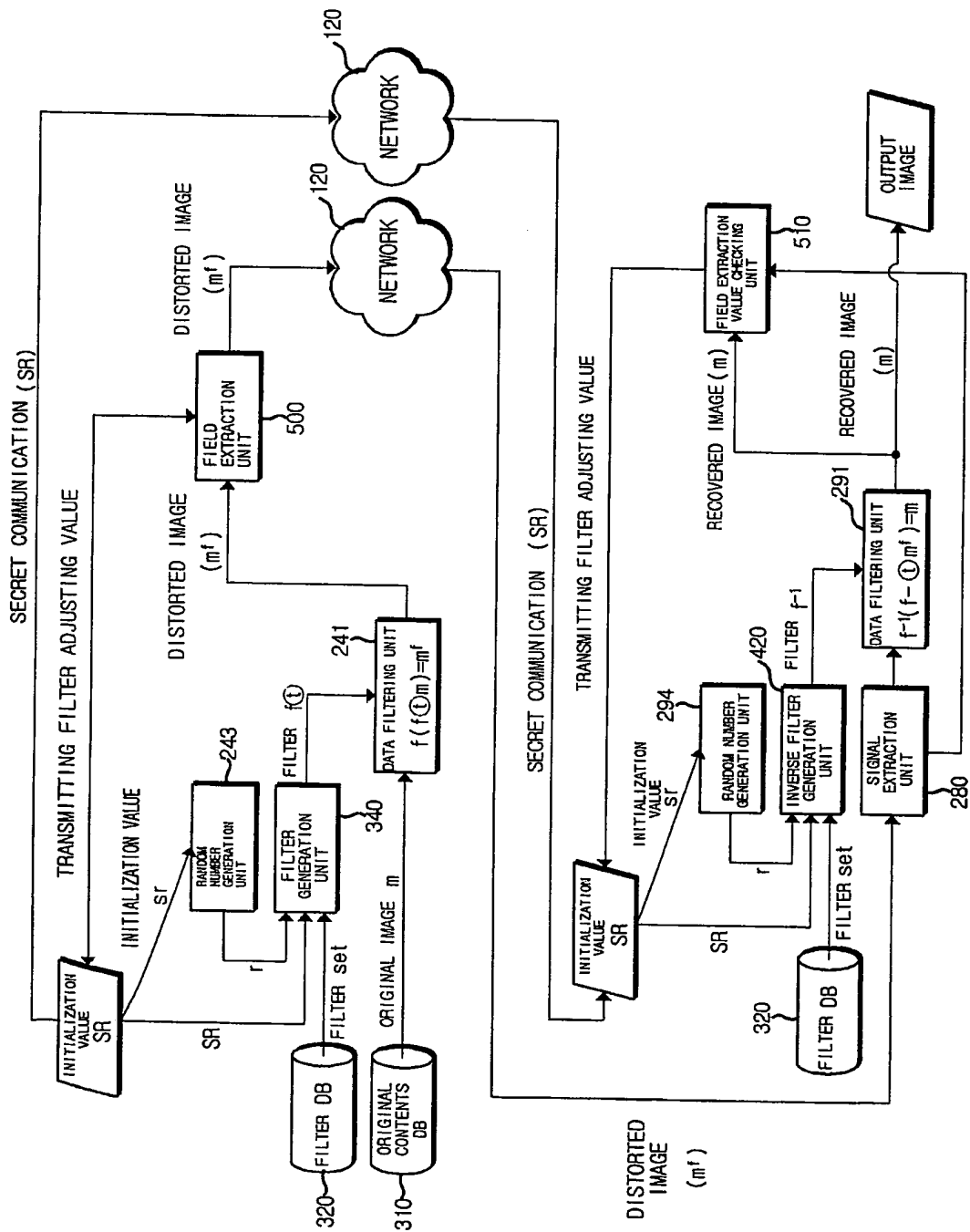
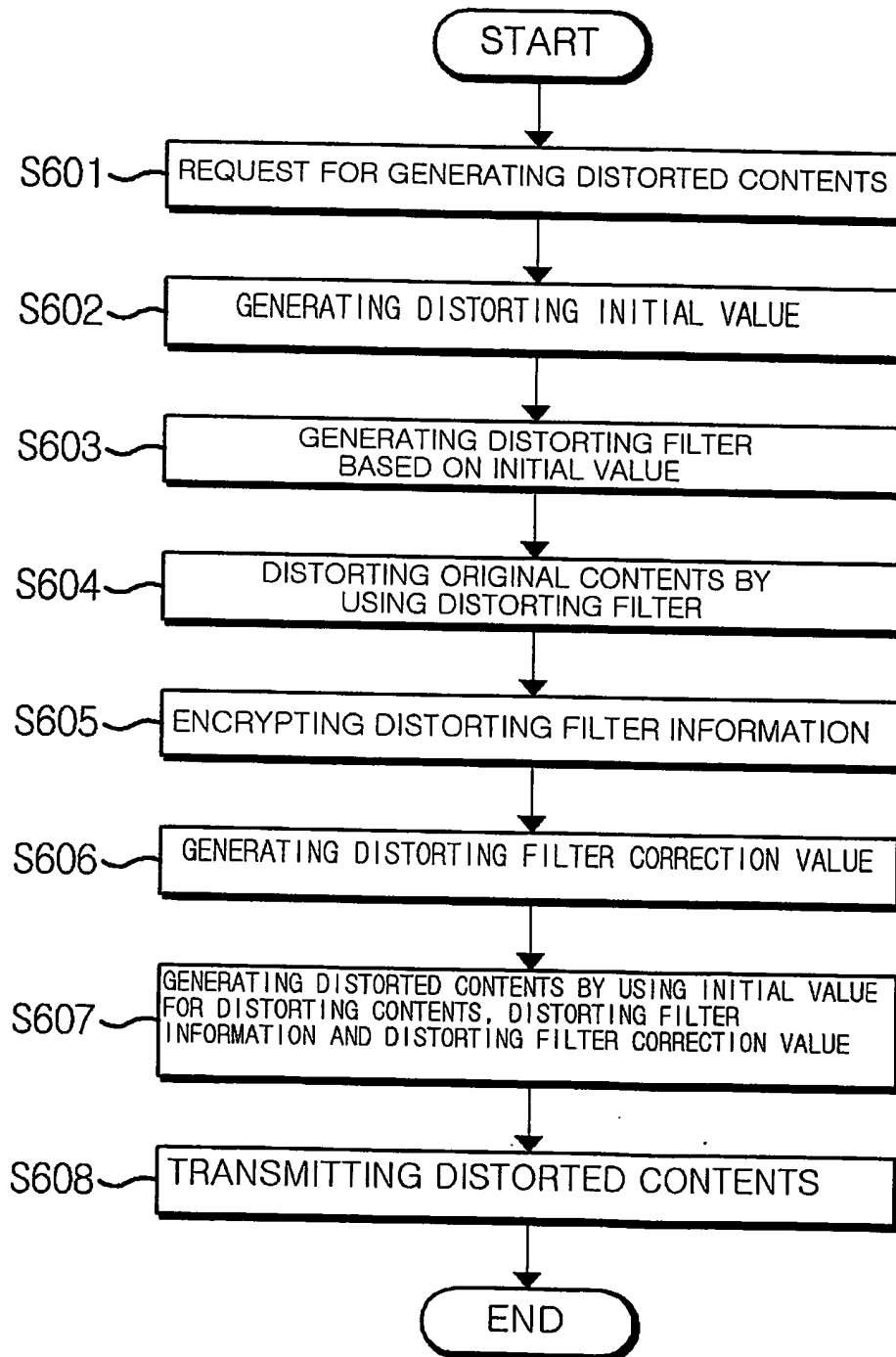


Fig. 5



6/13

Fig. 6



7/13

Fig. 7

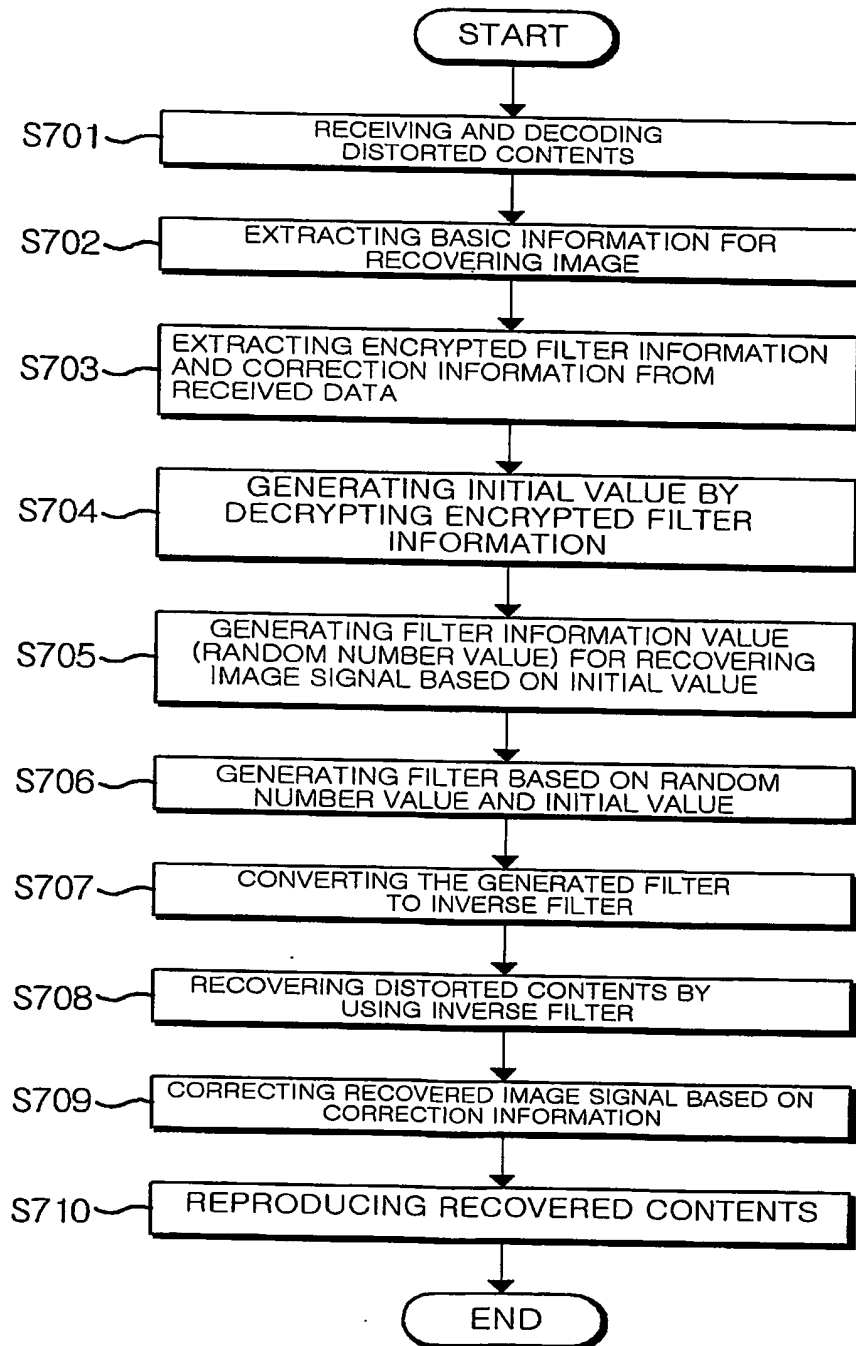


Fig. 8

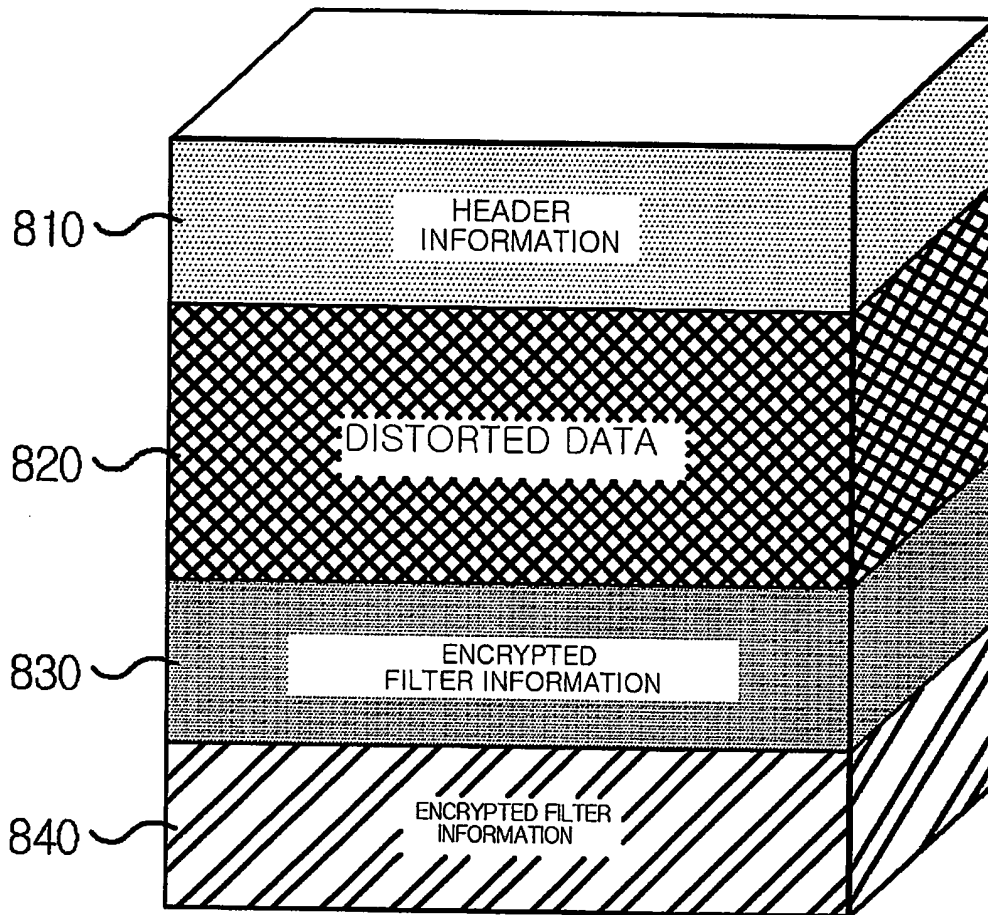
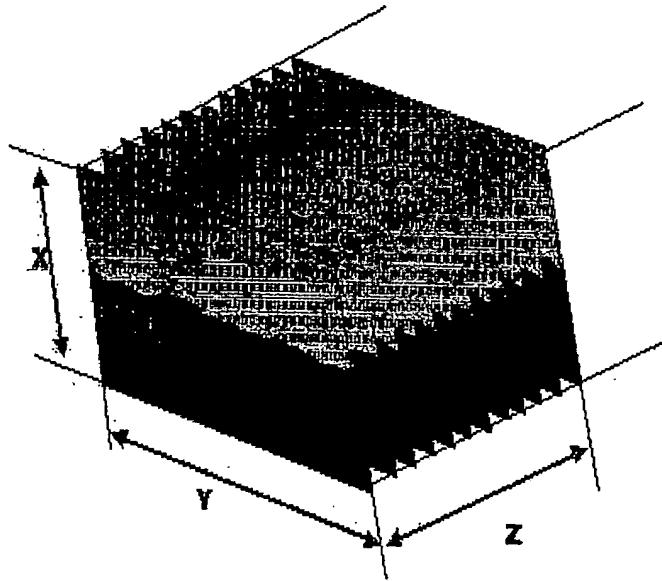




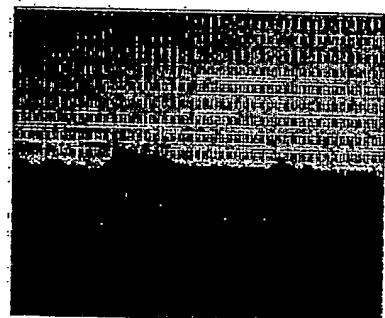
Fig. 9



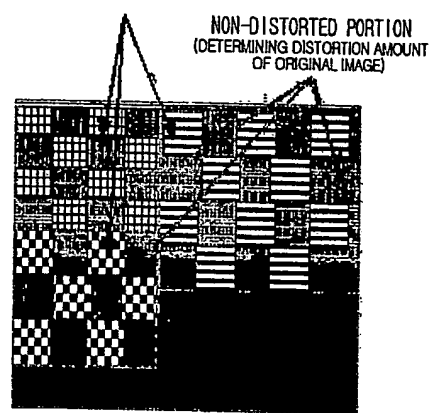
$X \times Y = T$  SIZE OF IMAGE (DETERMINING FILTER SIZE)

$Z =$  IMAGE AMOUNT (DETERMINING DISTORTING RANGE)

TYPES OF DISTORTING FILTERS (TYPES OF FILTER OPERATIONS) AND COMBINATION



ORIGINAL IMAGE



DISTORTED IMAGE

Fig. 10

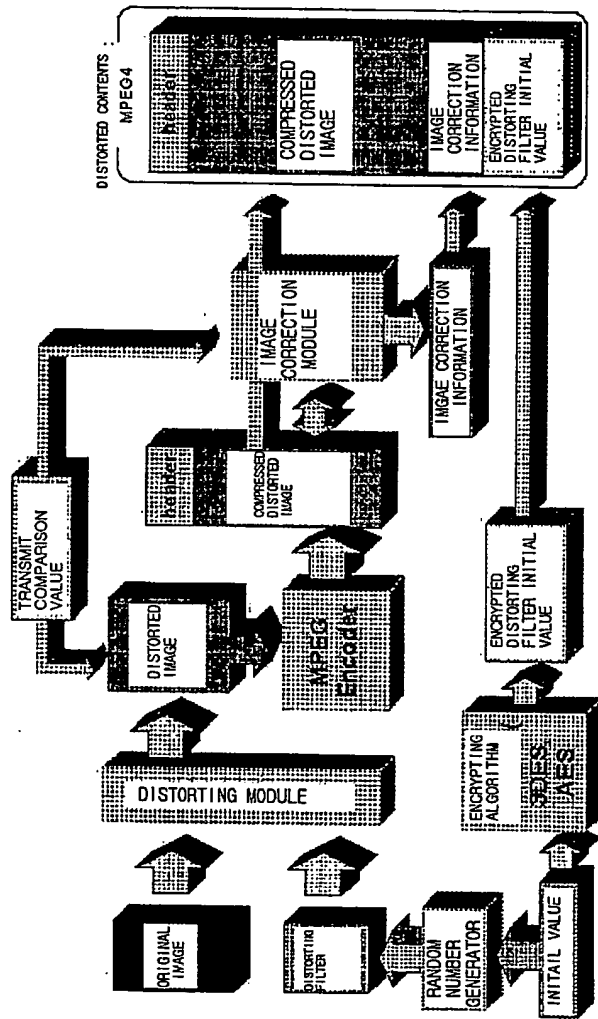


Fig. 11

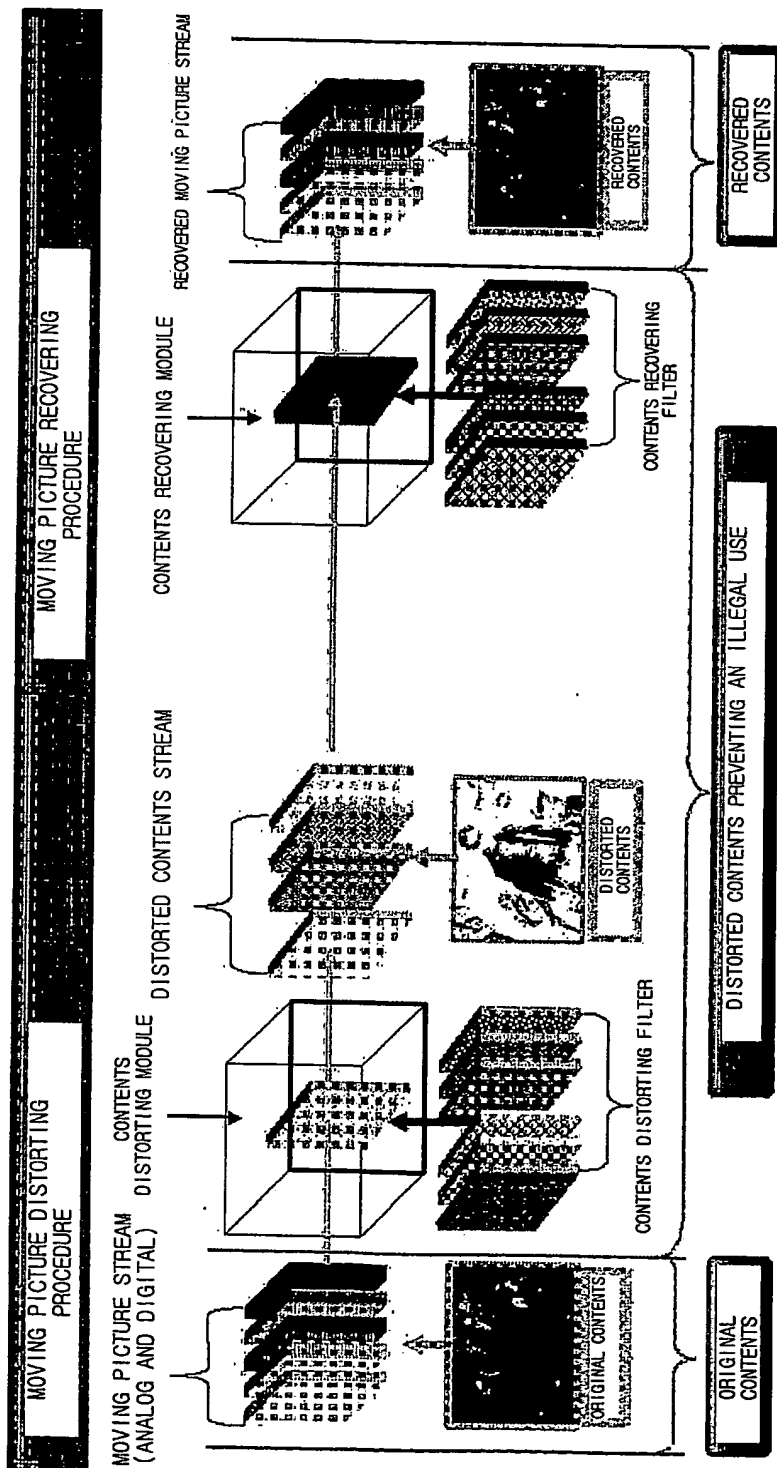
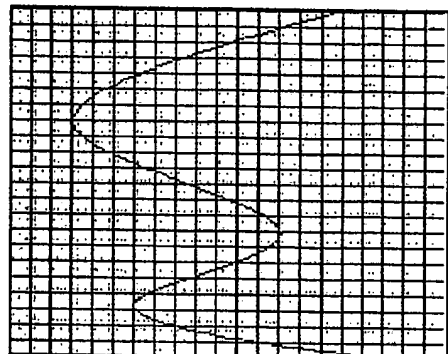
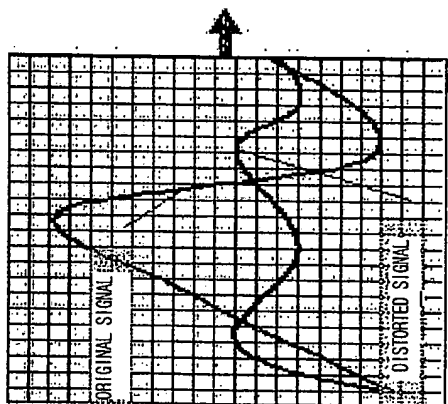


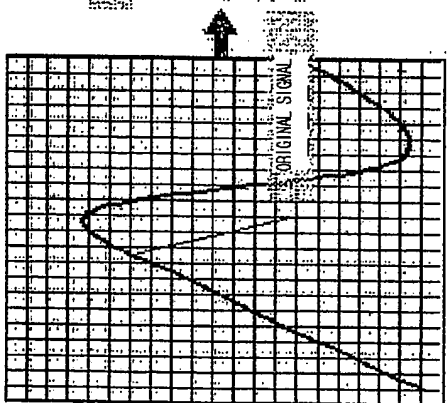
Fig. 12



DISTORTED SIGNAL



SIGNAL DISTORTING PROCEDURE



NON-DISTORTED SIGNAL

Fig. 13

